

Electrolux

ELECTROLUX HOME PRODUCTS PTY LTD
ABN 51 004 762 341

Technical Publication N° CE585

Issue: 1
Date: 8/12

ELECTROLUX

ELECTRIC

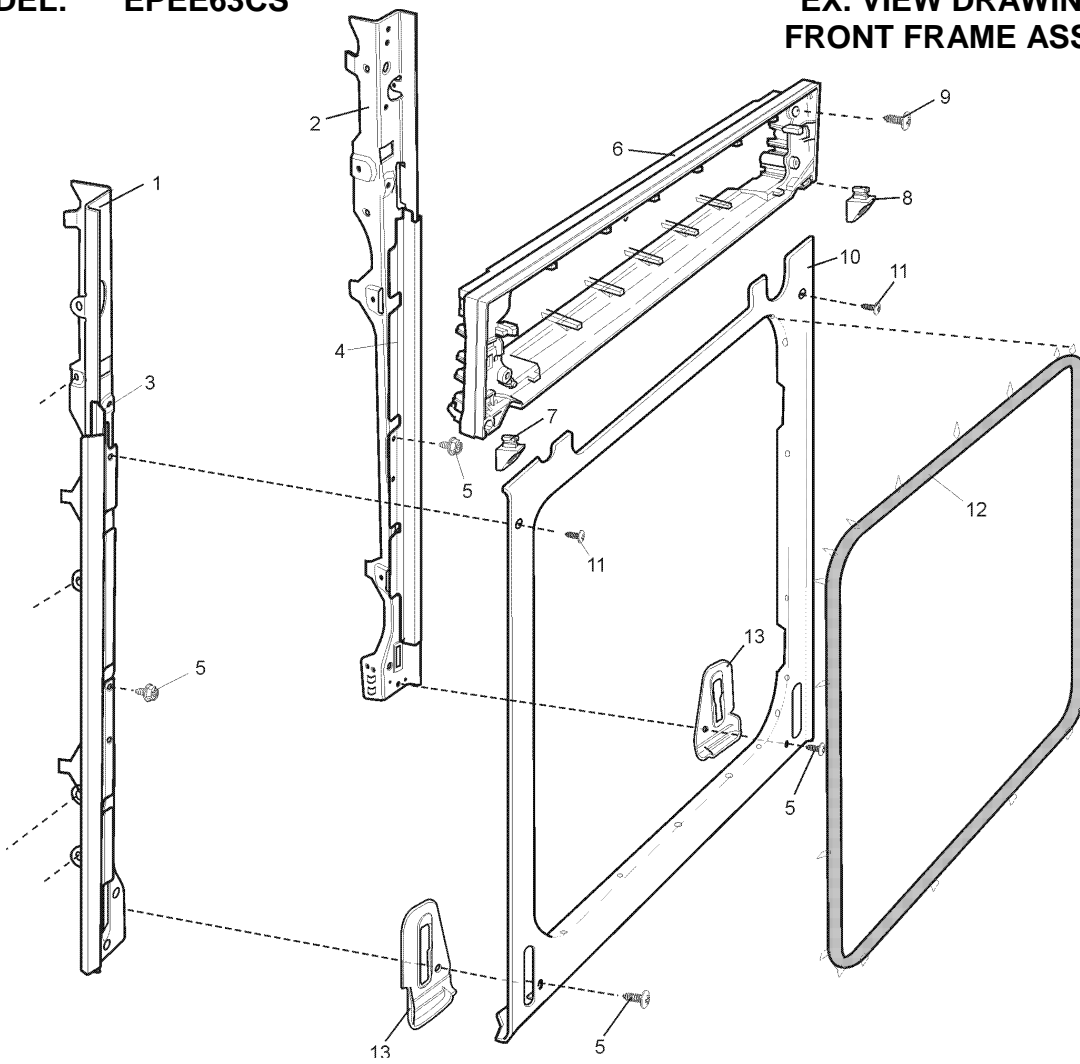
UNDERBENCH OVEN

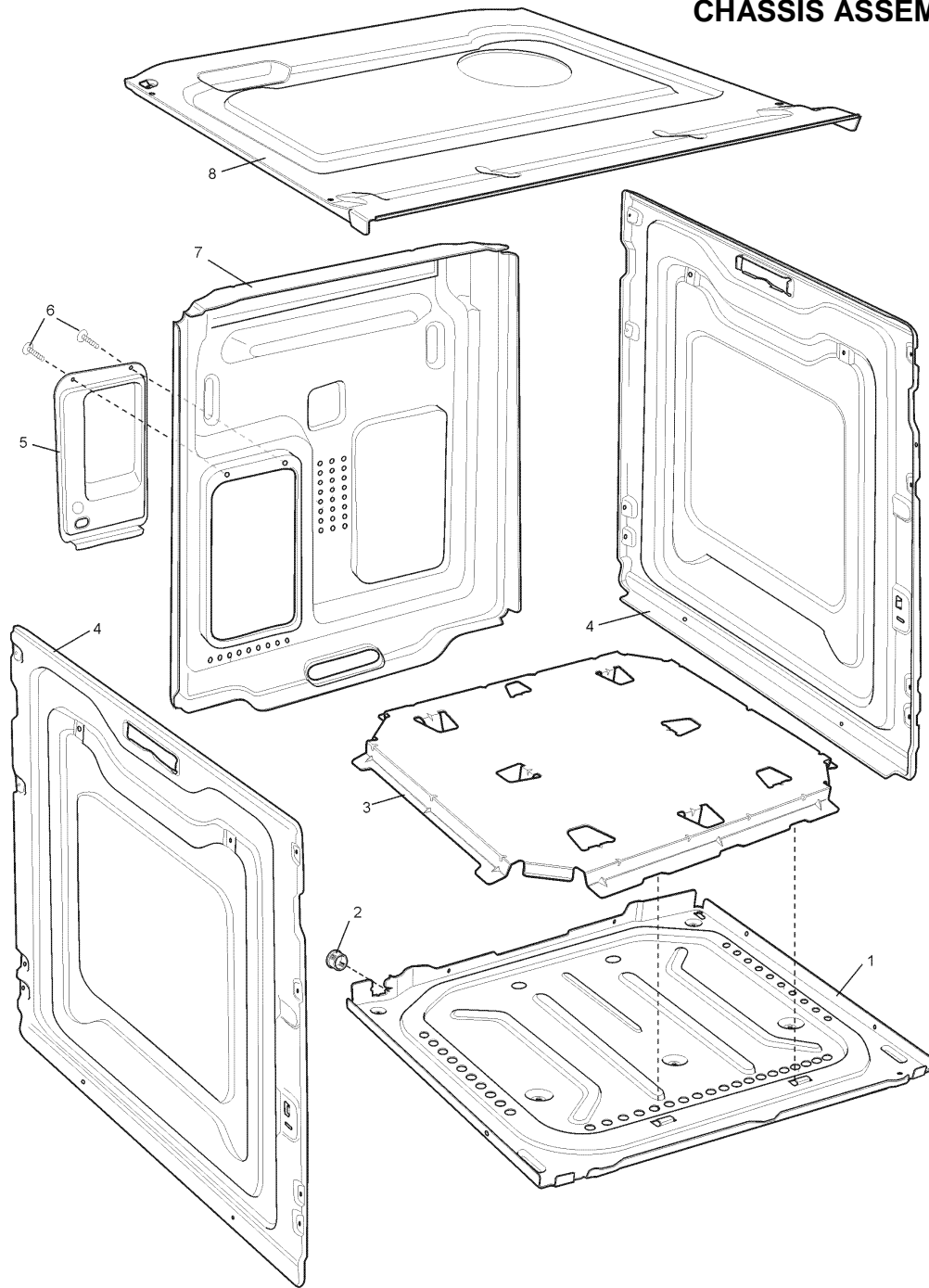
MODEL:

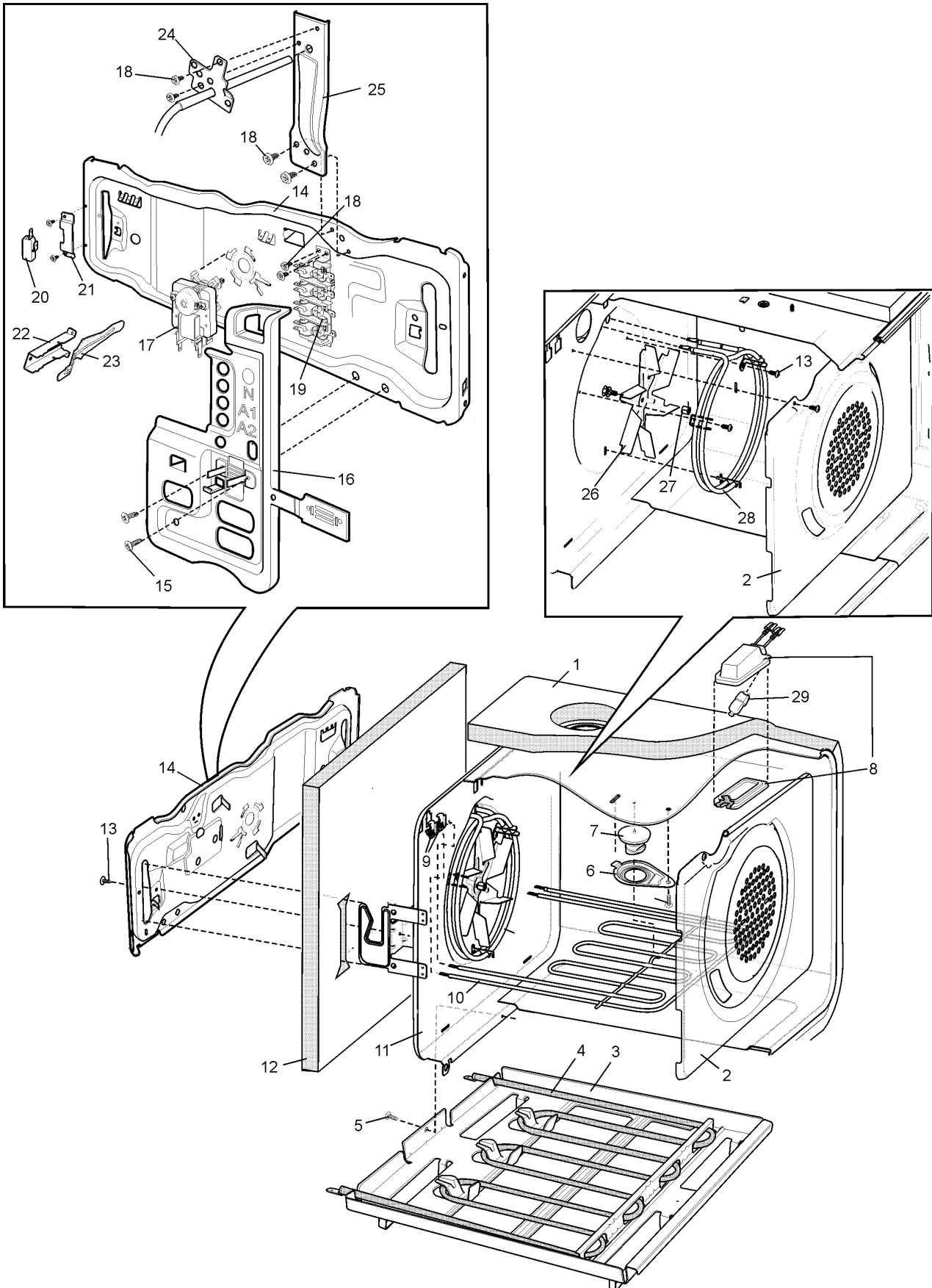
EPEE63CS

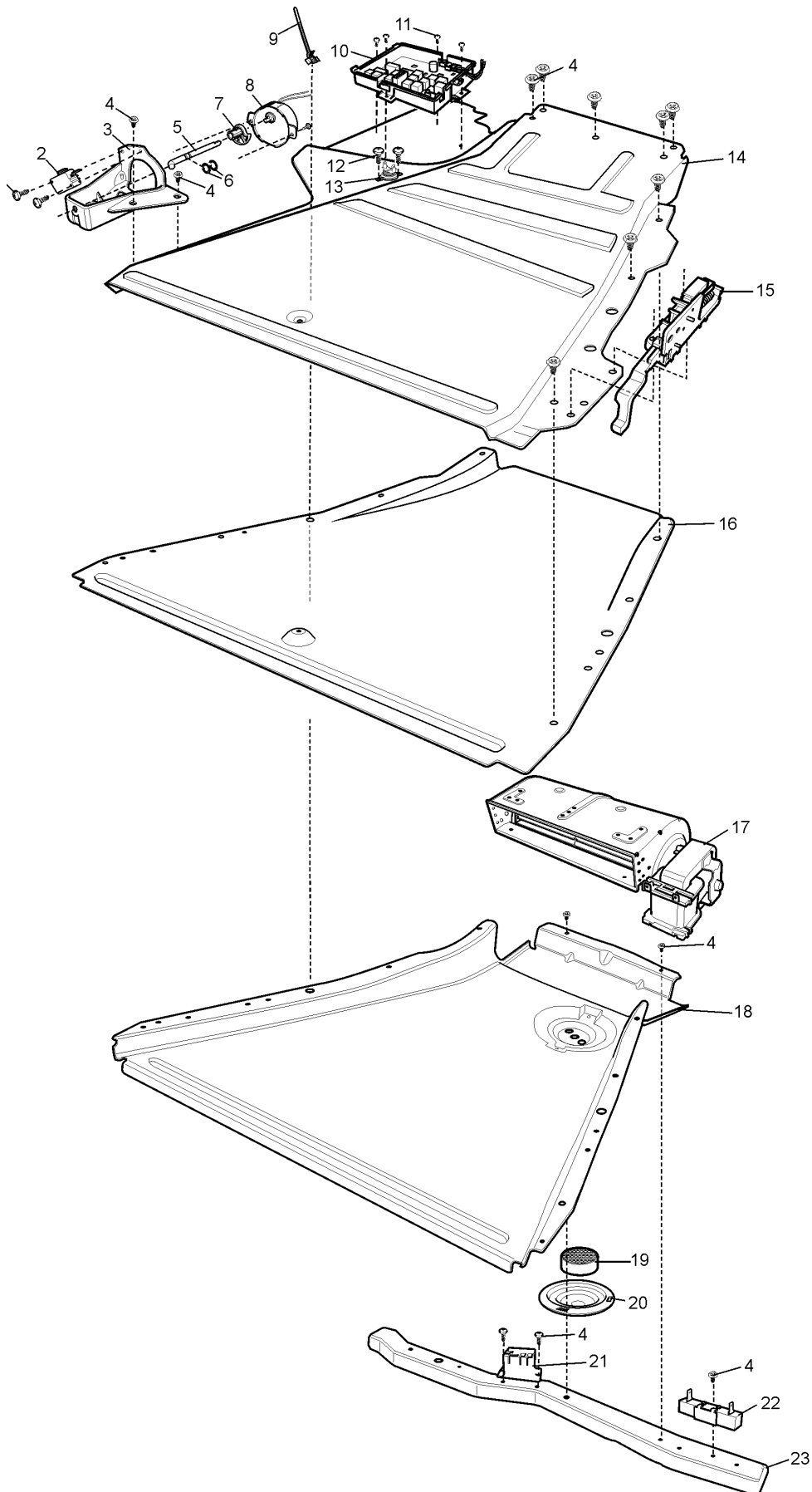
PNC 94403149963

EX. VIEW DRAWING 6518
FRONT FRAME ASSEMBLY









EX. VIEW DRAWING 5815
CONTROL PANEL ASSEMBLY

